



BYBU.XR637
Fire Resistance Ratings - ANSI/UL
1709

[CTR](#)[Standards](#)[Page Bottom](#)[LIS Home Page](#)[Corporate Home Page](#)

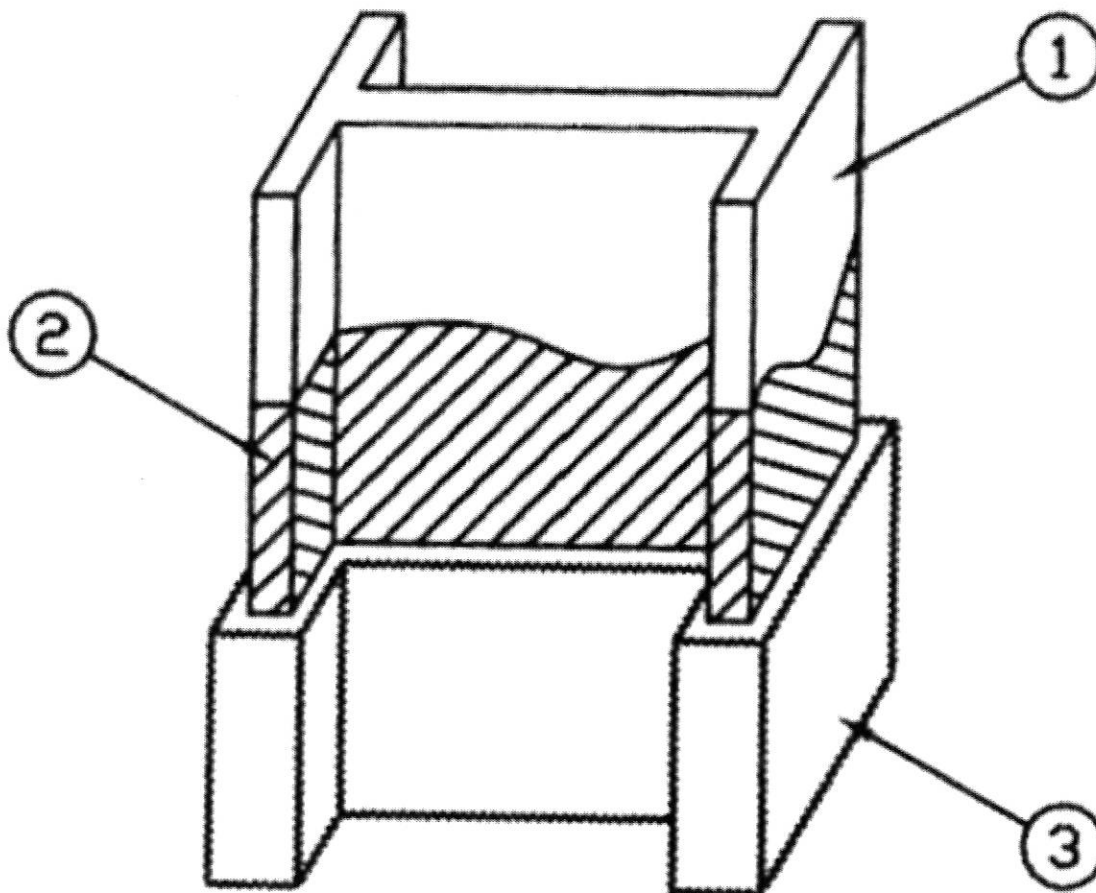
Fire Resistance Ratings - ANSI/UL 1709

See General Information for Fire Resistance Ratings - ANSI/UL 1709

Design No. XR637

December 06, 2013

Ratings — ¾, 1, 1½, 2 hr. (See Item 3)



1. **Steel Column** — W10x49 wide flange steel column, free of dirt, loose scale and

oil.

2. **Primer Coating** — 0.050 mm. thickness of an epoxy based primer.

3. **Mastic & Intumescent Coating*** — Coating trowel or spray applied in accordance with the manufacturer's instructions at the minimum dry thickness shown in the thickness below. The thickness shown include 0.050 mm primer thickness.

Rating mins	Min Thkns. mm
	W10X49
45	5.69
60	7.55
90	11.27
120	14.98

JOTUN A/S — Jotachar JF750.

*Bearing the UL Classification Mark

UL Cutoff

Exclusive Design: (Insert "Yes" or "No") **Yes**

Test Sponsor: (Name of Test Sponsor) **JOTUN A/S**

Original Test Date: 13th & 14th August 2013

Original File & Project Number: R27092 & 13CA04492

REVISION HISTORY

File Number (s)	Project or SR Number(s)	Test Record Contained in Report Dated	Description of Revision
R27092	13CA04492	August 2013	45, 60, 90 & 120 minute designs
R27092	13CA04491	November 2013	Environmental testing

Subscriber ID: 100563-212

Directory: FIRERES